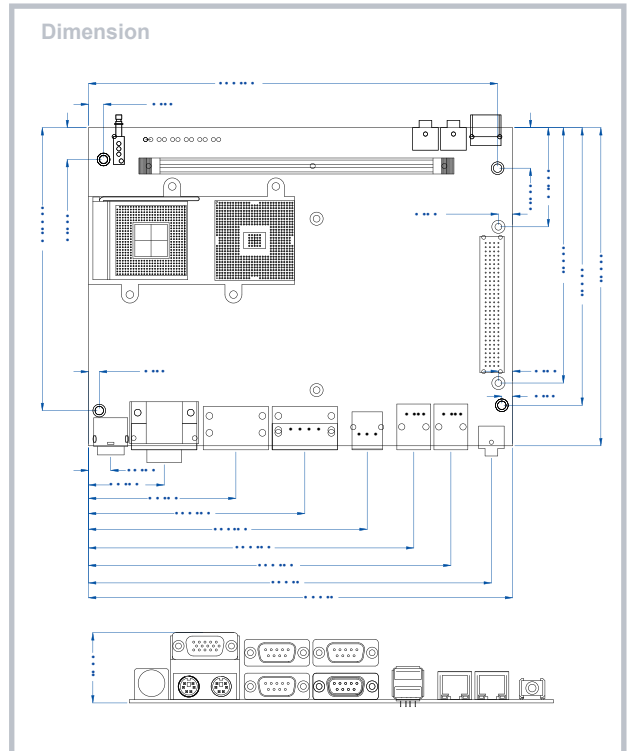
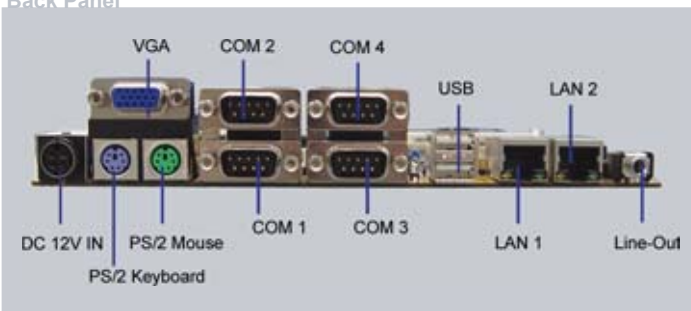


## CI852C Series

### Back Panel



**Application** POS/ KIOSK/ Industrial Control Solutions

**Features** Intel Pentium M/Celeron M solution  
4 COM  
PCI 104/ Mini PCI  
LVDS

### Specifications

- . CPU type Intel Pentium M/ Celeron M- Dothan processor
- . Front Side Bus 400/533 MHz
- . MB Chipset Intel 82852GM/ 82852GME + ICH4
- . Graphics Integrated with Intel 82852GM/GME  
Shared system memory up to 64MB
- . LVDS Supports data format of 18 bits/36 bits  
LVDS (Option) Supports data format of 24 bits/48 bits
- . Memory 1 x DDR SDRAM (max. 1GB)
- . IDE Ultra ATA 100/66/33, 1x 40 pin 2.54mm, 1x44 pin 2.0mm  
Support Compact Flash card type II for ATA interface
- . Audio AC-Link for Audio CODEC, AC'97 2.1
- . LAN 2 x Realtek 10/100 Mbps (optional Realtek/Intel Gigabit)
- . IO function 3 x RS232 + 1x RS232/422/485  
Supports IrDA 1.0/ASKIR protocol  
Supports PS2 keyboard and mouse
- . USB 6 x USB 2.0
- . DIO & WDT Hardware digital Input & Output, 8xDI / 8xDO  
Hardware Watch Dog Timer, 0~255 sec programmable
- . Expand interface 1 x Mini PCI for only PCI rev: 2.2 interface  
1 x PCI 104 (Option)
- . Power On board DC +12V convert to +3.3V/+12V/+5V for system
- . Dimension 200 x 150 mm
- . Operation Temperature : 0 ~ 60°C
- . Operation Humidity : 5~95% @ 60°C, non-condensing

### Ordering Information

- . CI852C-2RN10/2RNXX 2 LAN, Celeron-M 1GHz/ Socket 478
- . CI852C-2RP10/2RPXX 2 LAN, 1 PCI 104, Celeron-M 1GHz/Socket 478

### Testing environment

Model name : CI852C-2RN10  
CPU : Intel Celeron M 1GHz  
Chipset : Intel 82852GM and Intel 82801DB ICH  
OS : WIN XP  
Testing Program 3D Mark 2001 SE

#### Fanless solution with CF card

Chassis	Light	Neo	Twister	Tino
Temperature				
0°C	Pass	Pass	Pass	Pass
40°C	Pass	Pass	Pass	Pass
45°C	Pass	Pass	Pass	Pass
60°C	Pass	Pass	Pass	Pass

#### Fanless solution with 2.5" HDD

Chassis	Light	Neo	Twister	Tino
Temperature				
0°C	Pass	Pass	Pass	Pass
40°C	Pass	Pass	Pass	Pass
45°C	Pass	Pass	Pass	Pass

Model name : CI852C-2RNXX  
CPU : Intel Pentium M 2.13GHz  
Chipset : Intel 82852GME and Intel 82801DB ICH  
OS : WIN XP  
Testing Program 3D Mark 2001 SE

#### Fanless solution with CF card

Chassis	Twister	Tino
Temperature		
0°C	Pass	Pass
40°C	Pass	Pass
45°C	Pass	Pass
60°C	Pass	Pass

#### Fanless solution with 2.5" HDD

Chassis	Twister	Tino
Temperature		
0°C	Pass	Pass
40°C	Pass	Pass