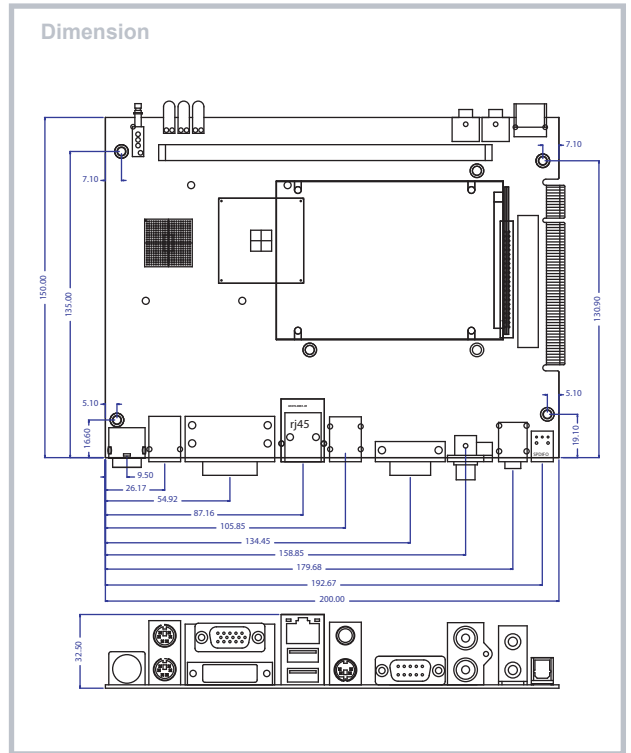
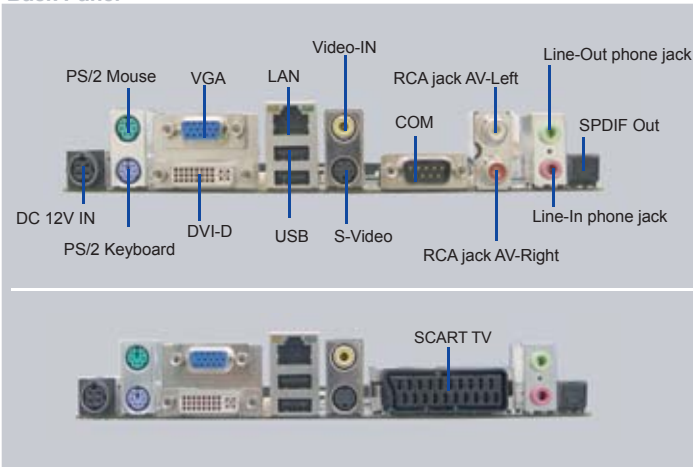




MV700A Series

Back Panel



Application Multimedia Applications for VOD, STB, Home entertainment, and gaming

Features VIA V4 bus processor Eden/C7
 CRT / S-Video / LVDS / DVI, TWIN VIEW
 High definition Audio
 Video-in
 Touch screen controller on board
 2 x SATA
 6W stereo audio amplifier

Specifications

- . CPU type VIA Eden(V4)/ C7 nano BGA2 400 pin, L1/L2 128K on die
- . Front Side Bus 400/533 MHz
- . MB Chipset VIA CX700M
- . Graphics Integrated with VIA CX700M
 Shared system memory up to 128MB
- . Memory 1 x DDRII SDRAM (max. 1GB)
- . CRT/HDTV Supports CRT resolution up to 1920 x 1440
 Support TV resolution up to 1920x1080i
 Integrated with HDTV encoder
 Compliant with NTSC (M and J) or PAL (B, D, G, H, I, M, N and Nc) TV
 Support SCART connector(no support for RGB signal) (Option)
- . LVDS/DVI Supports data format of 18bits/24bits single-channel panel and one single-channel DVI panel,
 or 36bit/48bits dual-channel LVDS panel.
- . IDE Ultra DMA-133/100/66 transfer protocols
 1 x 40 pin 2.54mm, 1 x 44 pin 2.0mm
 Support Compact Flash card type II for ATA interface
- . Video-In 1 port with Conexant Fusion 878A video codec
- . SATA Supports up to Two channel SATA connectors
 Integrated SATA PHY supporting 1.5 Gbit/s and 3 Gbit/s transfer rate

- . LAN 1 x Realtek 10/100 Mbps (optional Realtek/Intel Gigabit)
- . IO function 1x RS232
 Support Infrared SIR and FIR
- . Audio VIA VT1708/A HD Audio codec; Two channel SOUND
 Intel High Definition Audio Specification Rev.1.0 Compliant
 Support SPDIF-Out
- . USB 5 x USB 2.0
- . Touch Screen (Option) USB interface Touch screen controller
 Supported 4-, 5-, 8- wire Analog Resistive touch screen.
 Resister range from 200 to 1000 Ohm
 USB 1.1full speed sample rate (max. 300 point/s)
- . Audio Amplifier (Option) 6-W/CH Into an 8-Ω Load from a 12-V Supply
 Up to 92% Efficient, Class-D operation
 Differential Input minimizes Common-Mode noise
- . DIO & WDT (Option) Hardware digital Input & Output, 8xDI / 8xDO
 Hardware Watch Dog Timer, 0~255 sec programmable
- . Expand interface One Mini PCI socket for only PCI rev 2.2 interface
 One PCI Gold Finger for only PCI rev 2.2 interface
- . Power On board power DC +12V ±5% convert to
 +3.3V/+12V/+5V for system
- . Dimension 200 x 150 mm
- . Operation Temperature : 0 ~ 60°C
- . Operation Humidity : 5~95% @ 60°C, non-condensing

Ordering Information

- . MV700A-1R10C 1 LAN, 1Ghz, VIA C7 processor
- . MV700A-FR10C 1 LAN, 1Ghz, VIA C7 , Touch screen control board, DIO

Available Chassis

Light / Neo / Twister / Fanless Panel PC